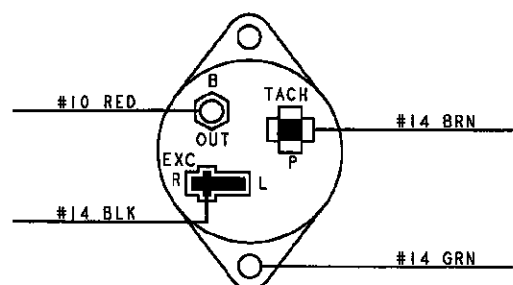


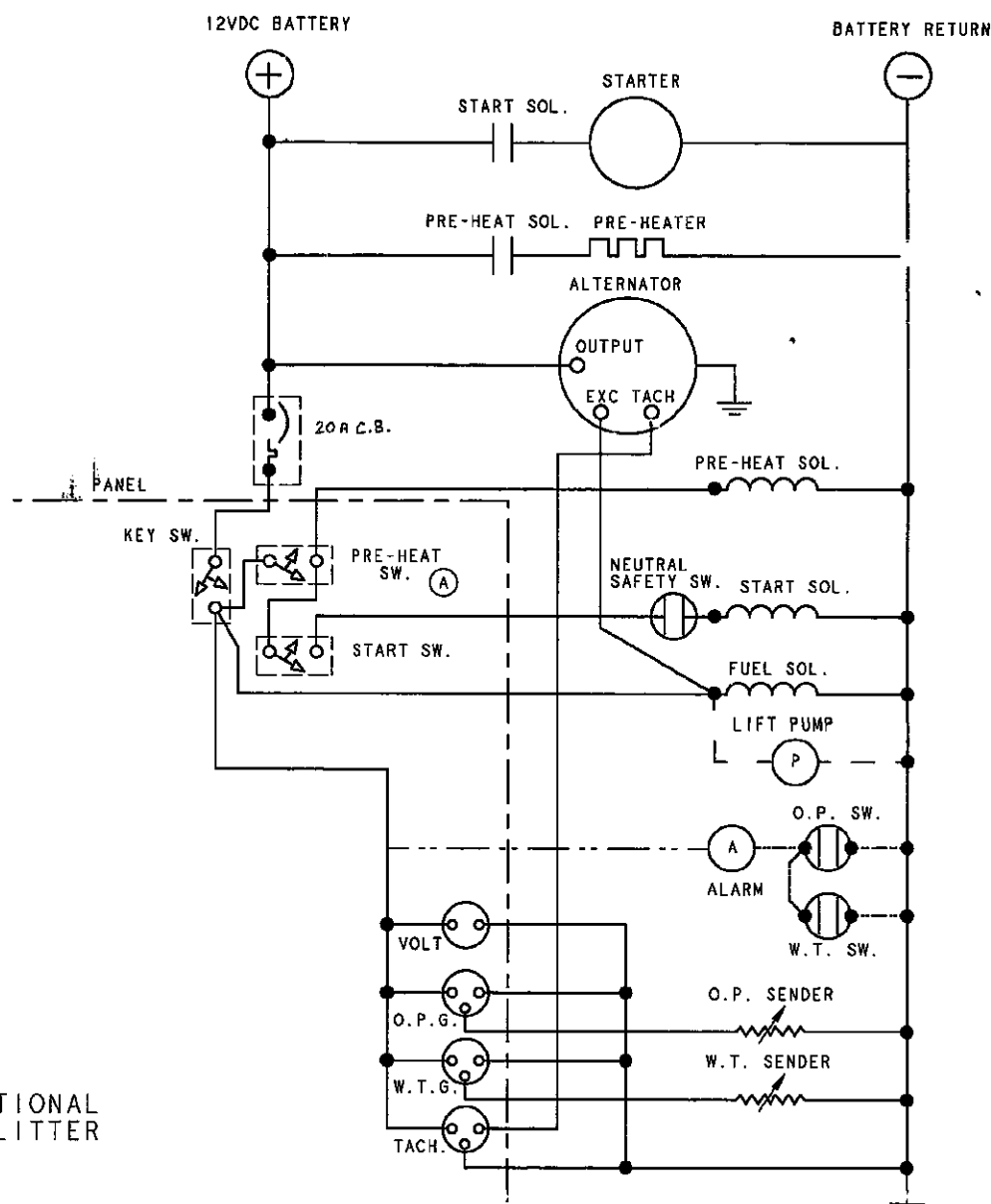
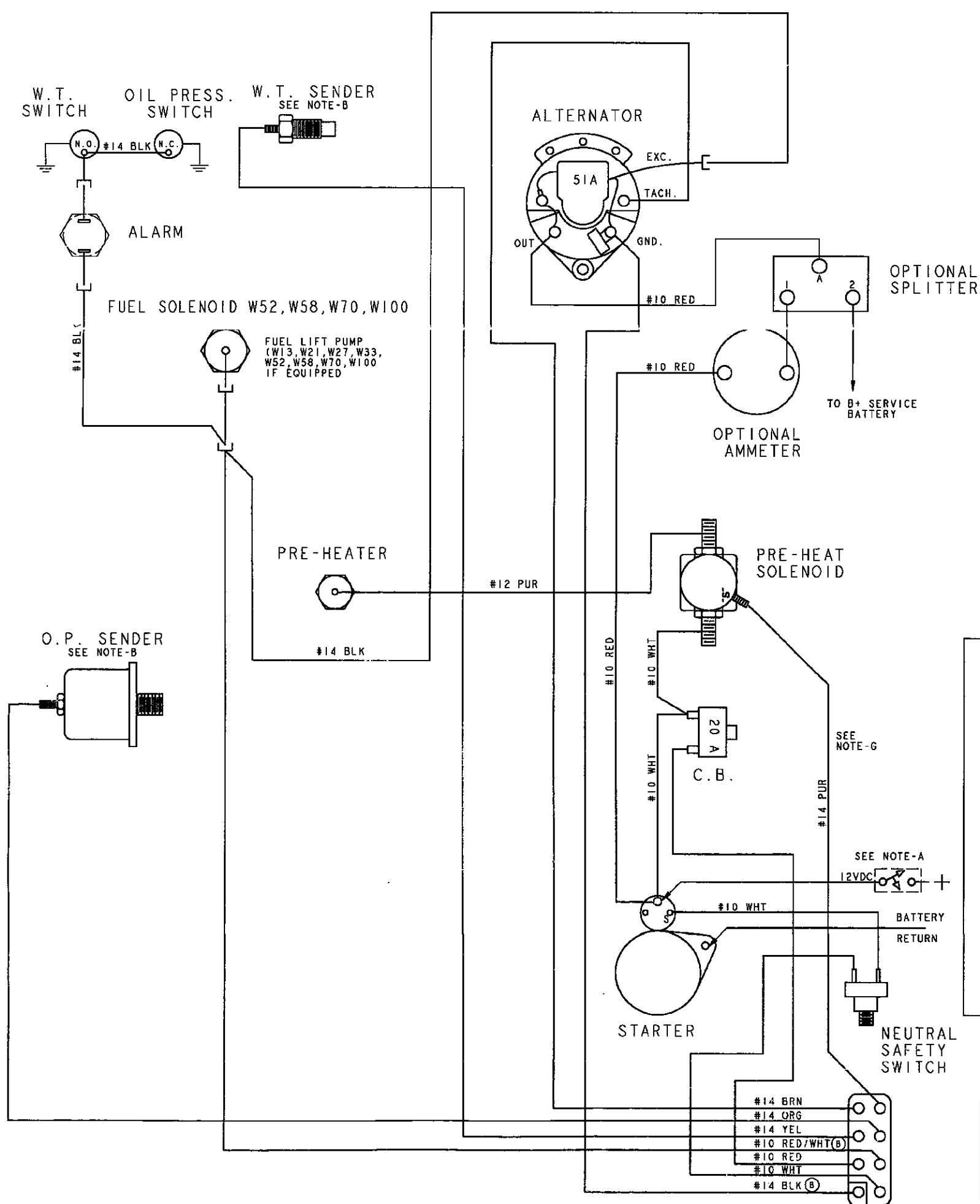
SCHMATIC DIAGRAM

ECO NO.	DATE	REV.	REVISION RECORD	AUTH.	DR.
-	1/24/85	A	UPDATED	-	-
4310	1/23/89	B	#10 RED/WHT WAS #10 BLK #14 BLK WAS #14 GRN; REDRAWN	JRS	-

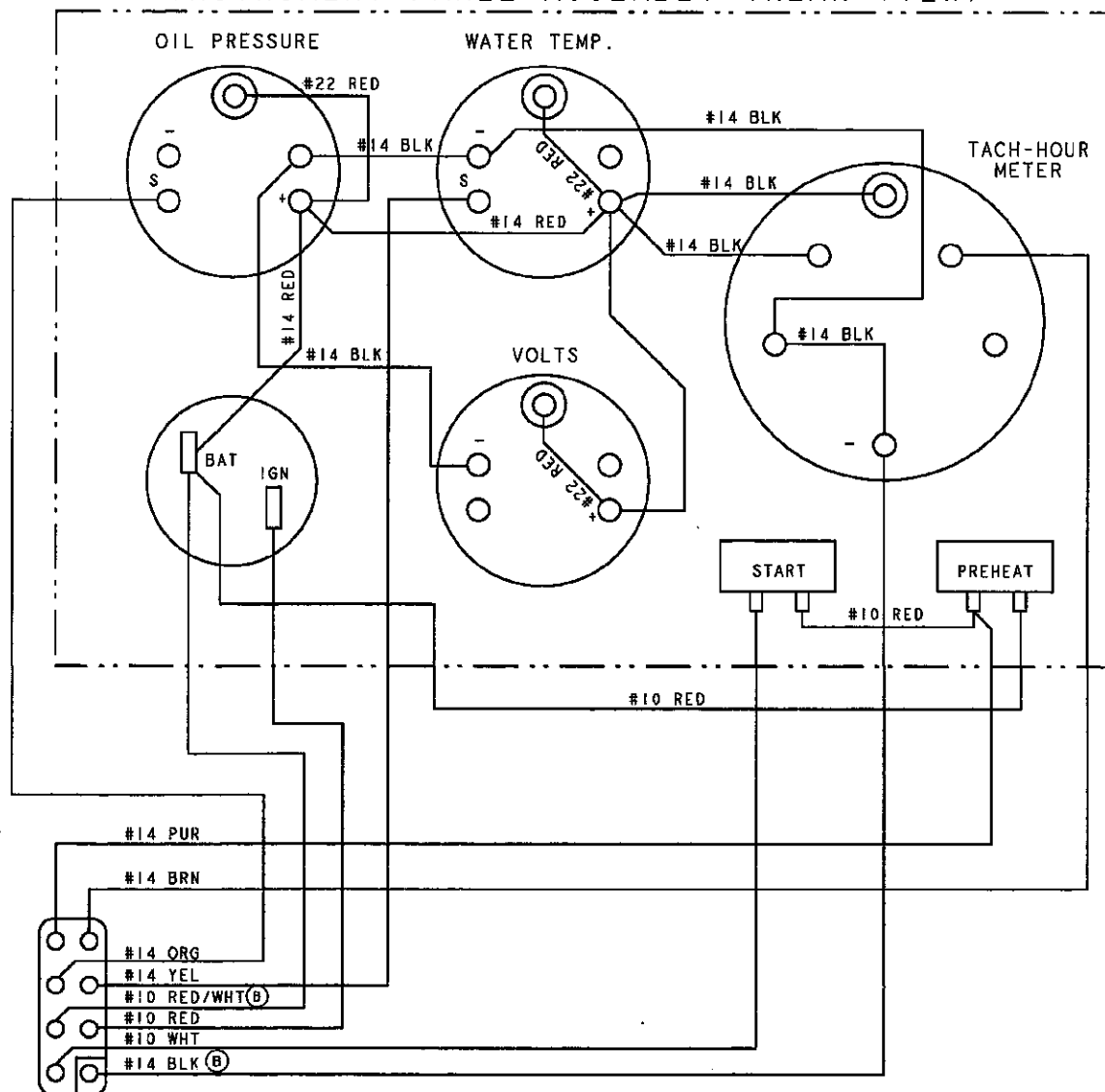
SERIES "15" ALTERNATOR
12 VOLT 50 AMP



WIRING DIAGRAM



INSTRUMENT PANEL ASSEMBLY (REAR VIEW)



NOTES:

NOTES ON BUILDER/OWNER'S RESPONSIBILITY

A. AN ON-OFF SWITCH MUST BE INSTALLED IN THIS LINE TO DISCONNECT THE STARTER CIRCUIT FROM THE BATTERY IN AN EMERGENCY & WHEN LEAVING THE BOAT. 12VOLT DIESEL ENGINE STARTERS TYPICALLY DRAW 200 TO 300 AMPS WHEN CRANKING. THE DURATION OF INDIVIDUAL CRANKING CYCLES SHOULD NOT EXCEED 30 SECONDS. A SWITCH MUST NEVER BE USED TO "MAKE" THE START CIRCUIT.

OTHER NOTES:

- B. WARNING: SENDER CONNECTION: CONTACT WITH B+ MAY DAMAGE SENDER.
- C. ALL RETURNS ARE THROUGH ENGINE BLOCK.
- D. FOR WIRING OF AUXILIARY ALTERNATORS SEE THE FOLLOWING DIAGRAM:
MOTOROLA 65AMP, 11232
MOTOROLA 120 AMP, 11231
LEECE-NEVILLE 53 AMP, 16535
LEECE-NEVILLE 105 AMP, 16624
- E. IF ADDITIONAL PRESSURE SWITCHES ARE REQ'D TO START BOAT ACCESSORIES, A FLEXIBLE HOSE MUST BE RUN FROM THE OIL PRESSURE MANIFOLD TO A NEARBY BULKHEAD AND ALL PRESSURE SWITCHES MOUNTED AT THE BULKHEAD.
- F. APPLY SILASTIC OR TIGHT WOUND PLASTIC/SPLICE ELECTRICAL TAPE AROUND CONNECTORS CONNECTED.
- G. CAUTION:
THIS PRODUCT IS PROTECTED BY MANUAL RESET CIRCUIT BREAKER LOCATED NEAR THE STARTER AND AS CLOSE TO THE SOURCE OR CURRENT AS POSSIBLE. EXCESSIVE CURRENT DRAIN ANYWHERE IN THE INSTRUMENT PANEL, WIRING, OR ENGINE WILL CAUSE THE BREAKER TO TRIP. IN THIS EVENT, MOST ENGINE MODELS WILL SHUT DOWN BECAUSE THE OPENED BREAKER DISCONNECTS THEIR FUEL SUPPLY. THEREFORE THE BUILDER/OWNER MUST BE SURE THAT THE INSTRUMENT PANEL, WIRING AND ENGINE ARE INSTALLED TO PREVENT CONTACT WIRING AND ENGINE ARE INSTALLED TO PREVENT CONTACT BETWEEN ELECTRICAL DEVICES AND SALT WATER.



TOLERANCES (UNLESS OTHERWISE NOTED)		WESTERBEKE CORPORATION AVON MA. 02322	
INCHES	MILLIMETERS	TITLE	
.XX ± .02	.X ± .1	MARINE DIESEL ENG. WIRING DIA. FOR	
.XXX ± .005	.XX ± .05	VOLTMETER, KEY SW., & TWO PUSHBUTTON	
.XXX ± .005	.XX ± .05	DATE	MATERIAL
ANGLES ± .5°		APPROVED BY	DATE
		SIZE	DRAWING NUMBER
DIMENSIONS		SCALE	REV.
INCHES		NONE	E 33685 B
MILLIMETERS			
FORM APPLICABLE		REV. 1 OF 1	